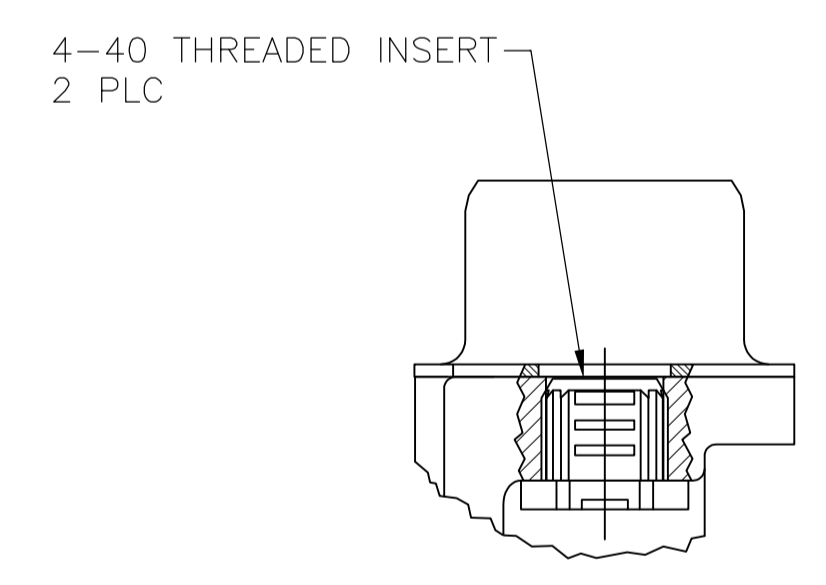
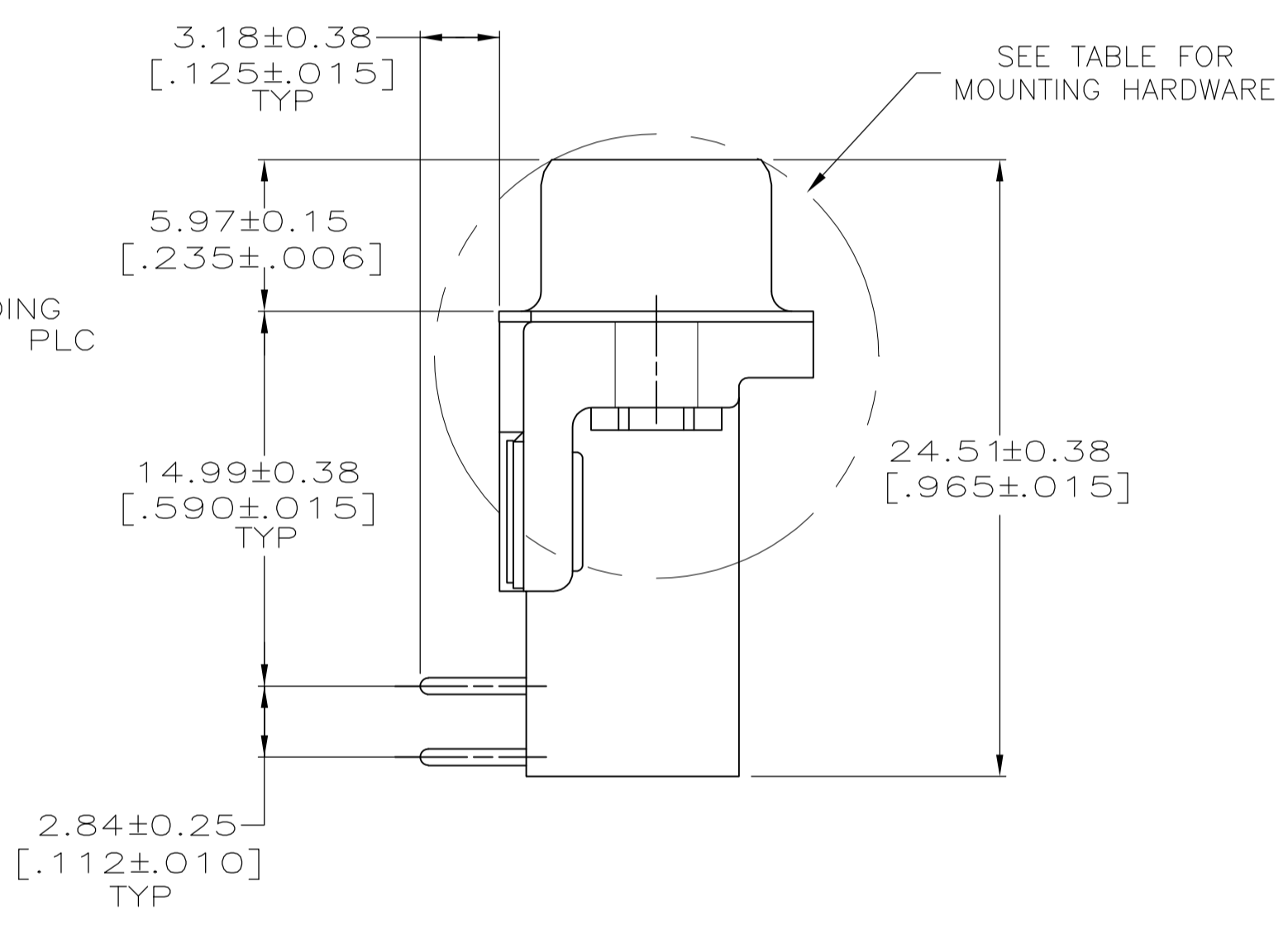
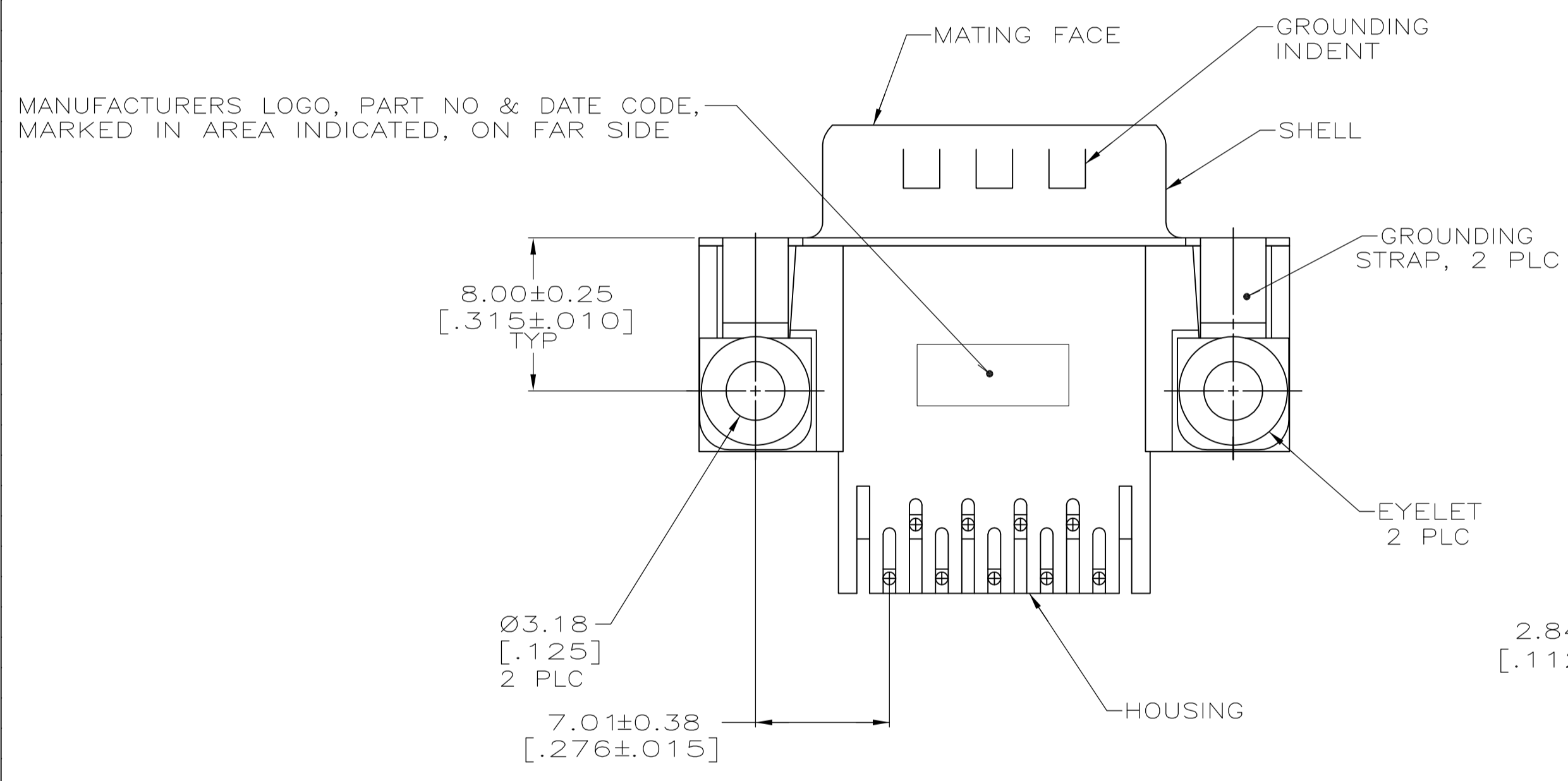
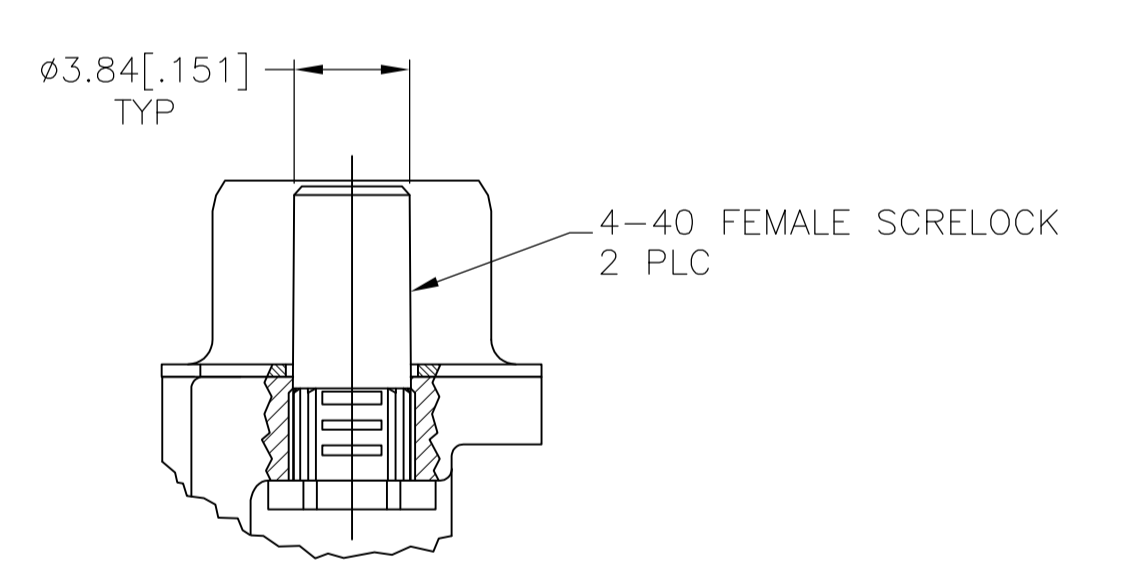


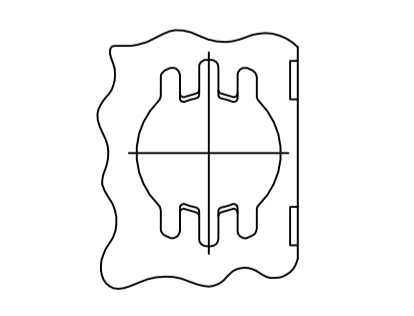
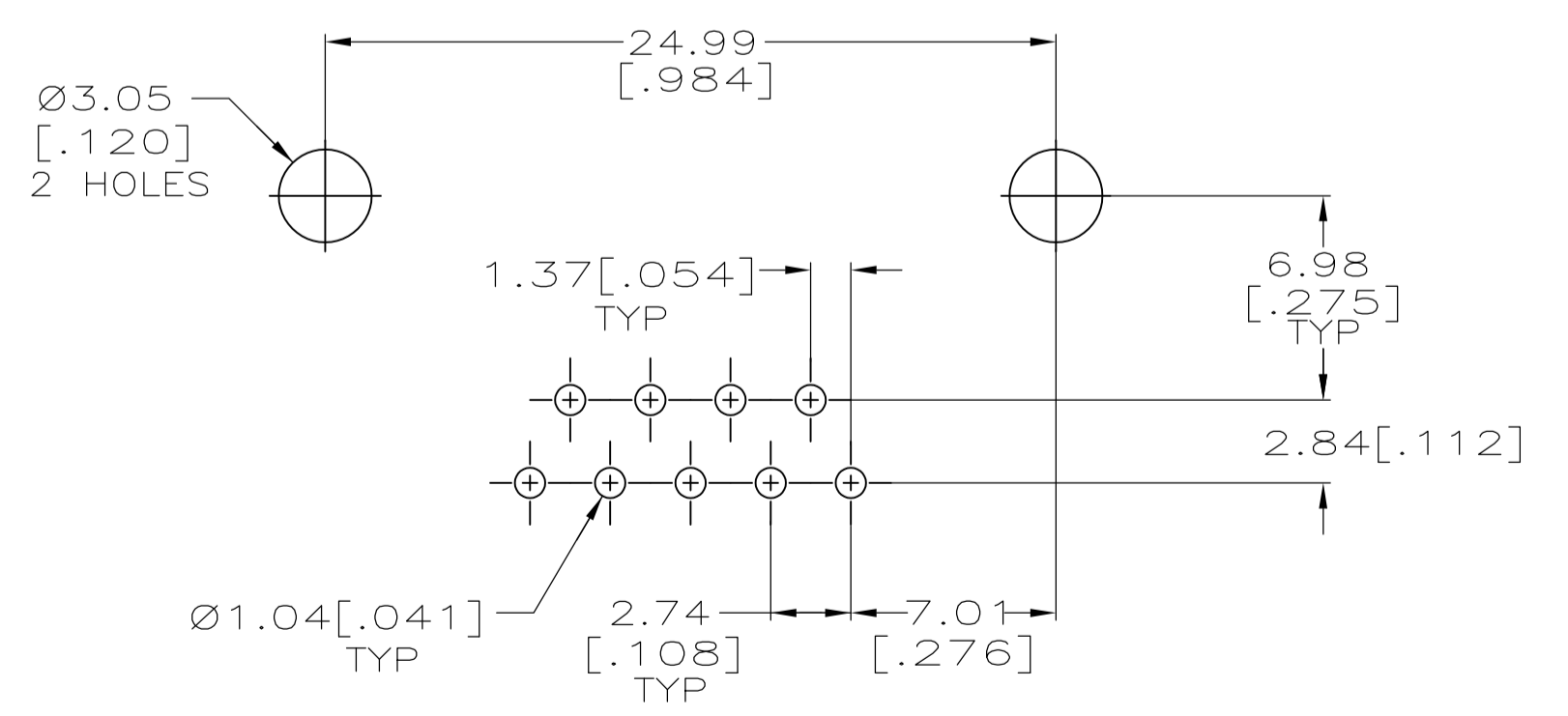
- 1 HOUSING: NYLON OR POLYESTER, FLAME RETARDANT, UL 94V-0 RATED, GLASS FILLED, BLACK, CONTACTS: BRASS, SHELL: CARBON STEEL, EYELETS: BRASS, INSERTS & SCREWLOCKS: ZINC
- 2 SHELL:  $2.54 \mu\text{m}$  [.000100] MIN TIN OVER  $1.27 \mu\text{m}$  [.000050] MIN COPPER. EYELETS:  $2.54 \mu\text{m}$  [.000100] MIN TIN OVER COPPER FLASH. INSERTS & SCREWLOCKS: CLEAR CHROMATE, CONTACTS: SEE TABLE
- 3 GOLD FLASH ON THE MATING SURFACES,  $2.54 \mu\text{m}$  (.000100) MIN TIN PLATE ON THE SOLDER END,  $1.27 \mu\text{m}$  (.000050) MIN NICKEL UNDERPLATE ON THE ENTIRE CONTACT.
- 4  $0.76 \mu\text{m}$  (.000030) MIN GOLD PLATE ON THE MATING SURFACES,  $2.54 \mu\text{m}$  (.000100) MIN TIN PLATE ON THE SOLDER END,  $1.27 \mu\text{m}$  (.000050) MIN NICKEL UNDERPLATE ON THE ENTIRE CONTACT -OR- GOLD FLASH OVER PALLADIUM-NICKEL PLATE,  $0.76 \mu\text{m}$  (.000030) MIN TOTAL ON THE MATING SURFACES,  $2.54 \mu\text{m}$  (.000100) MIN TIN PLATE ON THE SOLDER END,  $1.27 \mu\text{m}$  (.000050) MIN NICKEL UNDERPLATE ON THE ENTIRE CONTACT.



DETAIL D



DETAIL E



DETAIL F  
2 PLC

SEE DETAIL E	△	5745990-6
SEE DETAIL D	△	5745990-4
SEE DETAIL D	△	5745990-3
MOUNTING HARDWARE	△	PART NUMBER

THIS DRAWING IS A CONTROLLED DOCUMENT. DIMENSIONING AND TOLERANCING PER ASME Y14.5M-2009

DIMENSIONS:	TOLERANCES UNLESS OTHERWISE SPECIFIED:	APVD	DATE
mm [INCHES]	0 PLC ± - 1 PLC ± - 2 PLC ± 0.13 [.005] 3 PLC ± - 4 PLC ± - ANGLES ± °	M. WALMSLEY	04-08-05
MATERIAL	FINISH	NAME	RESTRICTED TO
1	2	PLUG ASSEMBLY, SIZE 1, 9 POSITION, RIGHT ANGLE, FRONT METAL SHELL, .590 SERIES, AMPLIMITE HD-20	
CUSTOMER DRAWING		SCALE 1:1	SHEET 1 OF 1 REV D

STE TE Connectivity